



FDS229-R / FDS229-A

Cerberus™ PRO
Sinteso™

Alarm sounder with supplementary optical indication



For the automatic addressable detector bus C-NET and FDnet

-
- Alarm sounder with 11 tonalities selectable, 2 activation levels programmable
 - Sound intensity up to 99 dB(A), adjustable on 3 levels
 - The sounder has a fixed flashing sequence, flash mode adjustable
 - Power supply and communication via C-NET/FDnet
 - Compatible to the addressable detector base
 - Use of base accessories possible
 - Monitoring of device status

Characteristics

● **Environmental**

- ecologically processing
- recyclable materials
- electronic und synthetic material simple separable

● **Characteristics**

- protected electronics, high-quality components
- integrated short-circuit isolator
- sound intensity and sounds adjustable, sounds are synchronized with all alarm devices
- flash mode adjustable
- addressable bases FDB221/222 with screw less connection terminals
- power is supplied via C-NET/FDnet, no auxiliary power supply required
- very low operating current
- periodic testing of the acoustic part (not audible)
- monitoring of device status

FDS229-R / FDS229-A Alarm sounder with supplementary optical indication

FDS229-R



Function

- acoustic alarming in case of fire alarm, clearly recognizable as danger signal
- supplementary optical indication
- sounds are synchronized with all alarm sounders FDS221 and sounder bases DBS720 of the same detector line (C-NET/FDnet)
- flash mode
 - the sounder flashes each time the alarm sounder is active
 - alarm sounder and supplementary optical indication are activated separately

FDS229-A

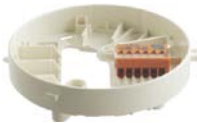


Application

- along escape routes
- corridors
- stair cases

Accessories

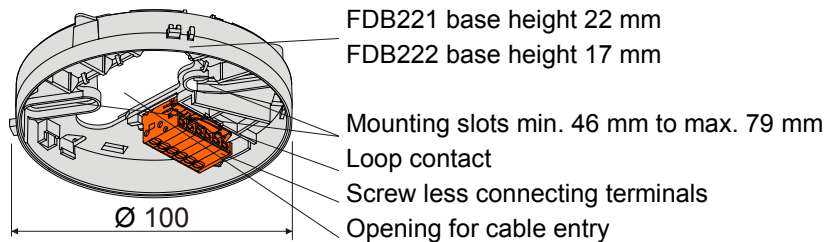
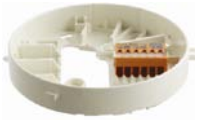
FDB221



Addressable base FDB221 and FDB222

- FDB221 base with stand-offs and FDB222 base flat with addressable signal processing
- terminals 'orange', wire cross-sectional area from 0.2 to 1.5 mm²
- for surface supply wiring, cable diameter up to 6 mm otherwise use base attachment FDB291
- FDB222 for recess supply wiring

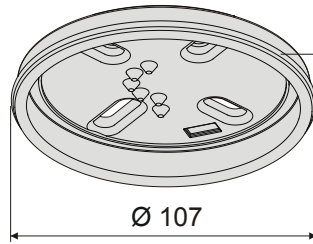
FDB222





Sealing element FDBZ295

- for higher protection category
- Use only with base FDB221 and for recess supply wiring

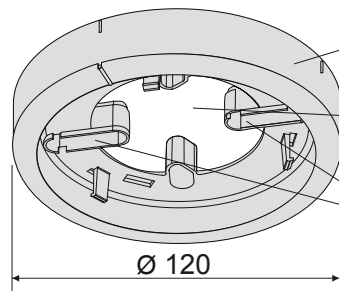


Height 30 mm
Height with inserted alarm sounder beacon 55 mm



Base attachment FDB291

- for the supply of surface-mounted lines > Ø6 mm (break-outs)
- detector base FDB221 fixed with spring-loaded catch

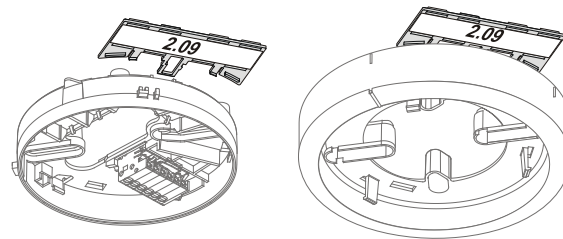


Base height 25 mm
Height with inserted alarm sounder beacon 54 mm
Opening for cable entry
Mounting slots min. 46 mm to max. 90 mm



Designation plate FDBZ291

- to identify the location address
- compatible for base FDB221/222 and base attachment FDB291



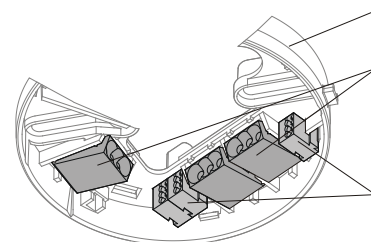
Micro terminal DBZ1190-AA

- for conductors of max. 0.5 mm²



Connection terminal DBZ1190-AB

- for conductors of max. 2.5 mm²
- for the connection of alarm indicators or cable screening

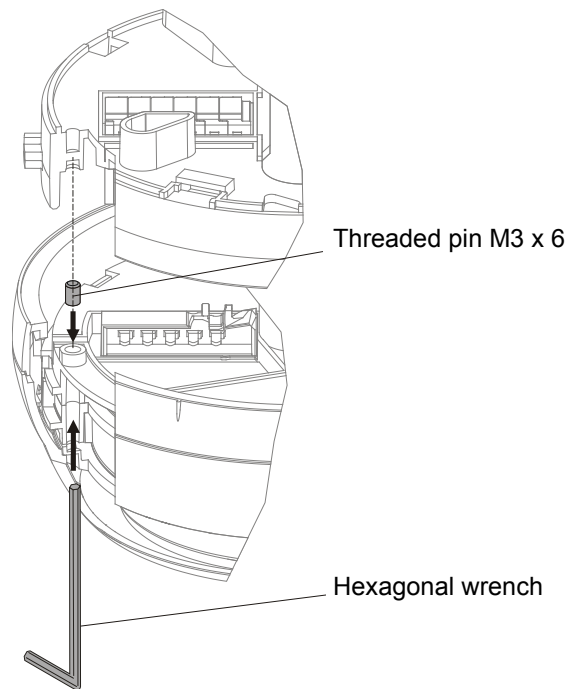


Base FDB221/222
Connection terminals DBZ1190-AA
Micro terminals DBZ1190-AB



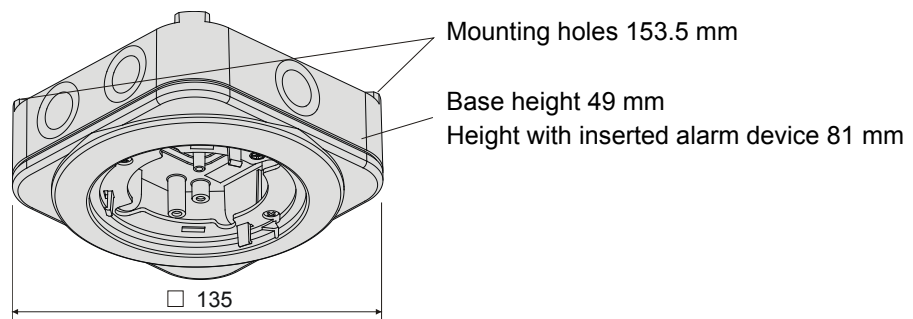
Detector locking device FDBZ293

- to protect the detector against theft



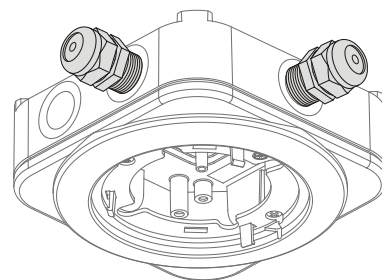
Base attachment humid FDB293

- for higher protection category
- for mounting in humid or wet environments
- detector base FDB221 fixed with spring-loaded catch



Metal screwed cable gland M20 x 1.5

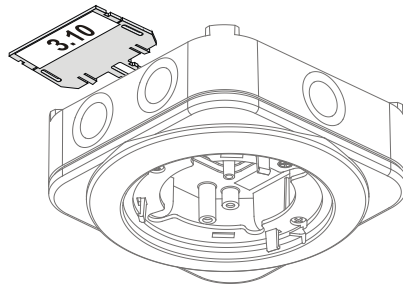
- for surface supply wiring for base attachment humid FDB293





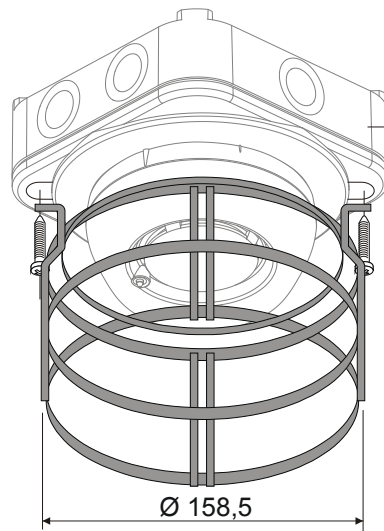
Detector designation plate DBZ1193A

- compatible for base attachment humid FDB293



Protective cage DBZ1194

- for the protection of the detector against damage
- can only be used together with the base attachment humid FDB293

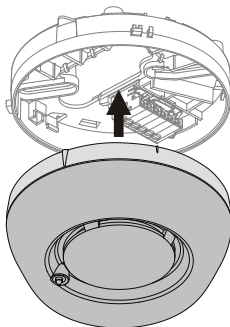


Base height with inserted protective cage 145 mm

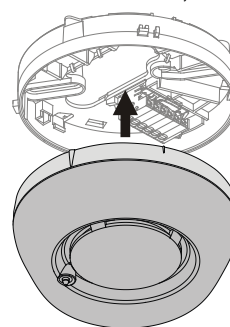
Installation

- The alarm sounder FDS229-R / FDS229-A is inserted directly in the detector base and mounted on walls or on the ceiling.
- for recess supply wiring
- for surface wiring, cable diameter up to 6 mm in diameter with base FDB221, otherwise use base attachment FDB291 or use base attachment humid FDB293
- for higher protection category use sealing element FDBZ295, only with recess supply wiring

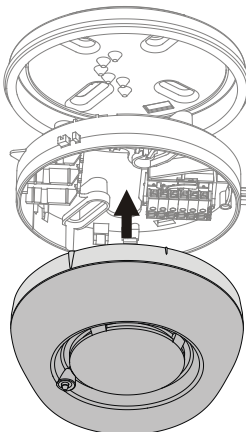
FDB221 detector base addressable



FDB222 detector base flat, addressable

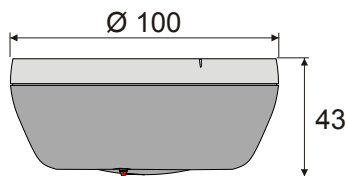


FDBZ295 sealing element and FDB221 detector base addressable



Dimensions


FDS229-R / FDS229-A without base



- Height with base FDB221 = 52.5 mm
- Height with base FDB222 = 47.5 mm
- Height with base FDB221 and sealing element FDBZ295 = 55 mm

Technical data

Operating voltage	DC 12...33 V	
Operating current (quiescent)	250 µA	
– Sound activated	3.5 mA	
– Supplementary indication activated	3.5 mA	
– Sound and indication activated	7.0 mA	
Number of sounds	11	
	2 activation levels	
	3 sound intensities	
Sound intensity	80...99 dB(A)	
Number of flashing patterns	1 (intermittent)	
Light intensity (unit: candela, cd) at DC 32 V (depending on the viewing angle -30...+30 °):		
– with hood red	1.27...3.2 cd	
– with hood orange	1.1...2.8 cd	
Ext. alarm indicator (AI)	2	
Operating temperature		
– FDS229-R (red)	-25...+65 °C	
– FDS229-A (orange)	-25...+55 °C	
Storage temperature	-30...+75 °C	
Humidity	≤95 % rel.	
Communication protocol	C-NET/FDnet	
Connection terminals	according to detector base	
Color		
– FDS229-R	transparent red	
– FDS229-A	transparent orange	
Protection category EN 60529 / IEC 60529 with		
– base FDB221 or FDB222	mounting on the wall with cable feed	
– base attachment FDB291	from bottom → IP43, otherwise IP42	
– base FDB221 and sealing element FDBZ295	IP44	
– base attachment humid FDB293	IP54	
Standards	EN 54-3, EN 54-17	
Approvals	FDS229-R	FDS229-A
– VdS	G207156	G207156
– LPCB	531p/03	531p/02
– DNV GL (Marine)	59 826 - 13 HH	59 826 - 13 HH
System compatibility C-NET, FDnet	FS720, FS20	
QS standards	Siemens Standard SN 36350	

07  0786	FDS229-A / FDS229-R	Siemens Switzerland Ltd; Gubelstrasse 22 CH-6301 Zug Technical data: see doc. 010095
FDS229 - Sounder incl. short-circuit isolator for use in fire detection and fire alarm systems installed in buildings.		
305/2011/EU (CPR): EN 54-3 / EN 54-17 ; 2014/30/EU (EMC): EN 50130-4 / EN 61000-6-3 ; 2011/65/EU (RoHS): EN 50581		
The declared performance and conformity can be seen in the Declaration of Performance (DoP) and the EU Declaration of Conformity (DoC), which is obtainable via the Customer Support Center: Tel. +49 89 9221-8000 or http://siemens.com/bt/download		
DoP No.: 0786-CPR-20345; DoC No.: CED-FDS229		

Details for ordering

	Type	Part no	Designation	Weight
Accessories	FDS229-R	A5Q00023093	Alarm sounder with supplementary optical indication, red	0.130 kg
	FDS229-A	A5Q00023092	Alarm sounder with supplementary optical indication, orange	0.130 kg
	FDB221	A5Q00001664	Detector base addressable	0.026 kg
	FDB222	S54319-F1-A1	Detector base addressable, flat	0.025 kg
	FDBZ293	A5Q00005035	Detector locking device (2 hexagonal key, 100 hexagonal socket pins)	0.035 kg
	FDBZ295	S54319-F10-A1	Sealing element	0.030 kg
	FDB291	A5Q00001603	Base attachment	0.035 kg
	FDBZ291	A5Q00002621	Designation plate (10x)	0.034 kg
	FDB293	A5Q00003945	Base attachment humid	0.320 kg
	–	A5Q00004478	Metal screwed cable gland M20 x 1.5	0.039 kg
	DBZ1193A	BPZ:4864330001	Designation plate (10x)	0.076 kg
	DBZ1194	BPZ:4677110001	Protective cage	0.176 kg
	DBZ1190-AA	BPZ:4677080001	Micro terminal 0.28...0.5 mm ²	0.001 kg
	DBZ1190-AB	BPZ:4942340001	Connection terminal 1.0...2.5 mm ²	0.007 kg

Details see equipment overview A6V10225323